

MultiCOM

301 - 302

Serial Communication Adapter

- How to add a serial port -

COMMUNICATION PORT SERIAL 3

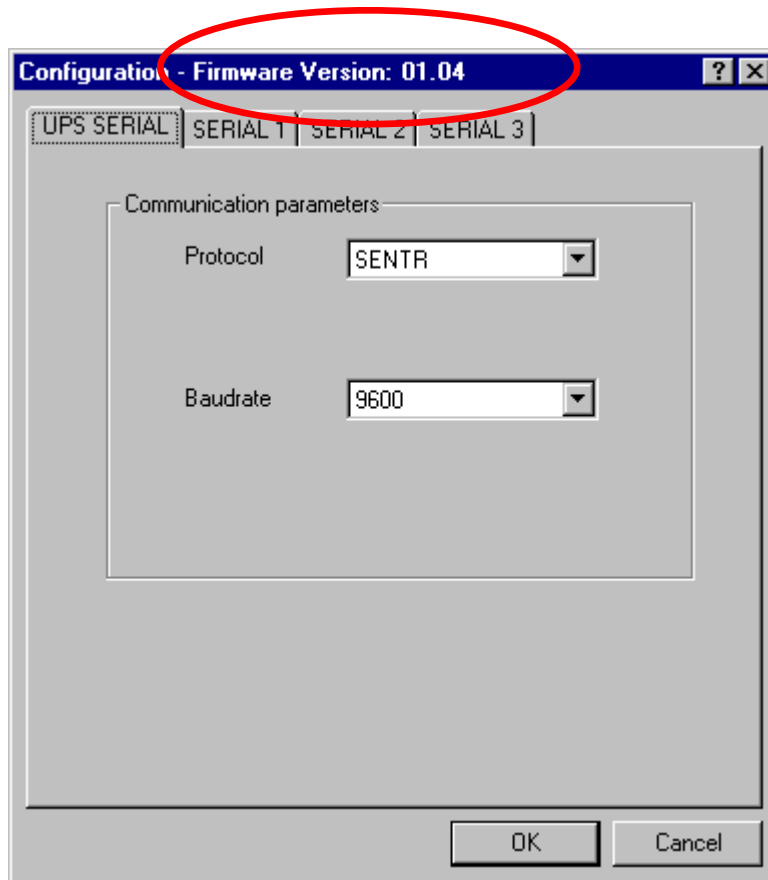
MultiCOM 301/302 can provide three independent serial ports (SERIAL 1, SERIAL 2 and SERIAL 3) for monitoring the UPS. For SERIAL 1 and SERIAL 2 refer to the User's Manual of the device.

The SERIAL 3 port offers an RS-232 serial line through which the UPS can be monitored using the following protocol:

Protocol	Baud Rate [bps]	Parity	Stop bit
GPSER	1200	None	1

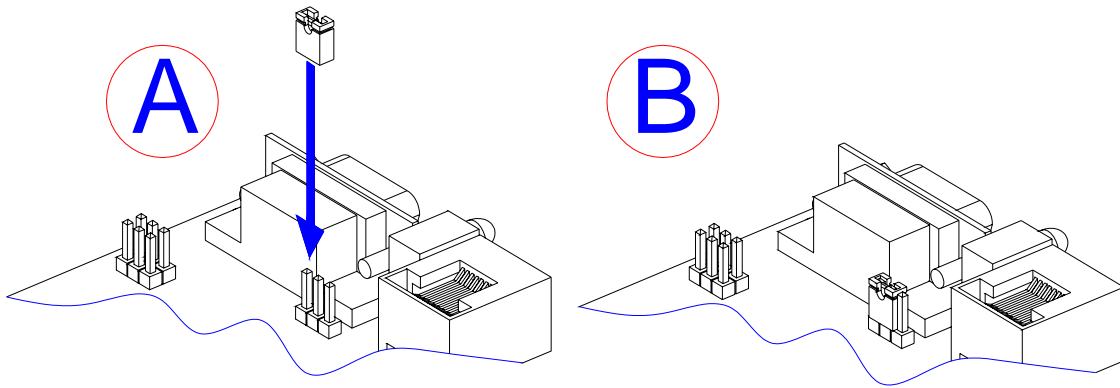
To use the SERIAL 3 port, you have to do the following:

1. Check the firmware version of your MultiCOM 301/302 using the software MultiSetup (Configuration program)



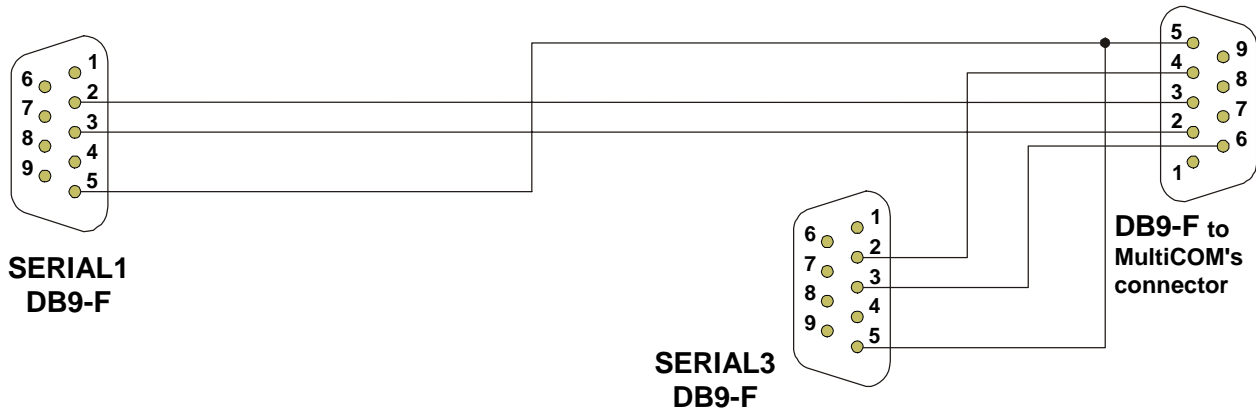
If your firmware version is previous than 01.04, you have to upgrade the firmware of your device using the "Upgrade files" that can be found on the manufacturer's web site.

2. Close the two pins high of JP14 as indicated in the figure below.



NOTE (only for MultiCOM 301 model): For access to the jumpers, disconnect the power supply connector and the serial cables, take out the four screws on the bottom of the device and remove the cover.

3. Connect to the "SERIAL 1" port of the MultiCOM a double serial cable prepared in accordance with the following specification:



MultiCOM's SERIAL 1 connector	
PIN #	SIGNAL
1	n.c.
2	SERIAL 1 RXD
3	SERIAL 1TXD
4	SERIAL 3 TXD
5	GROUND
6	SERIAL 3 RXD
7	RTS
8	n.c.
9	n.c.

n.c. → not connected